

PROJECT		QUANTITY	
---------	--	----------	--

P3S Spot Light (Track)

90W LED/ 20°



ORDERING GUIDE

CXP3S - - - - **PSP** -

Mode
CLR All Modes
EZ All EZ Modes
RGB RGB Mode Only
CCT Tunable CCT Mode Only
3200 Fixed 3200K
5600 Fixed 5600K

Finish
WH White
BK Black

Mount
TOX w/ O-type DMX Track Adapter
TEX w/ E-type DMX Track Adapter (Legacy product)

Power Supply & Control
PSP Power Supply w/ Pass-Through DMX

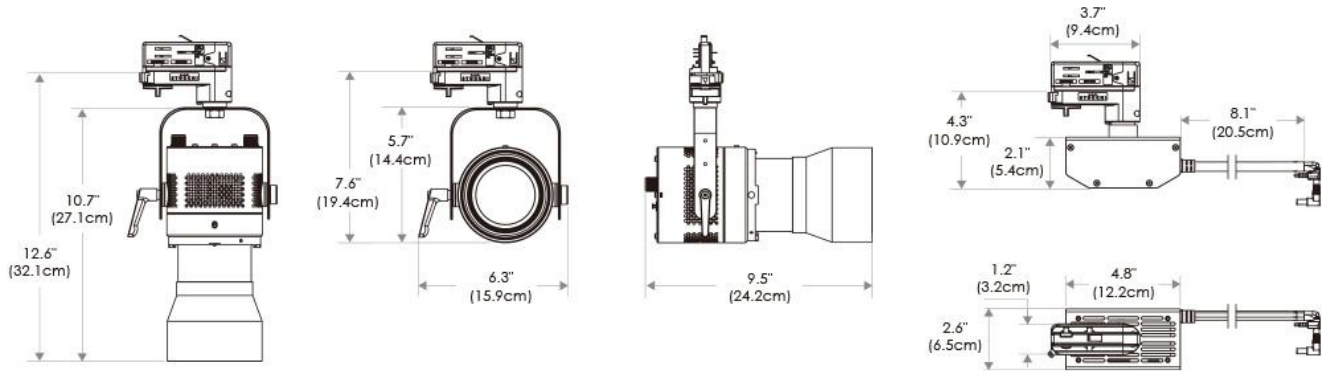
Plug/Connection
US US 120V
EU EU 220V

SPECIFICATIONS

Beam Angle	20°
CRI / TLCI	95/90 typical (in CCT Mode of 2800K-6500K)
Dimming	100% - 0% flicker free
Power Draw	90W max
AC Input	100 - 240V AC, 50 - 60Hz
Remote Control	DMX 512
Cooling	Fan Cooled
Acoustic Noise	23 dBA
Operating Temp.	32 - 104°F (0 - 40°C)
Weight (Fixture + Power Supply)	3.4lb / 1.6kg

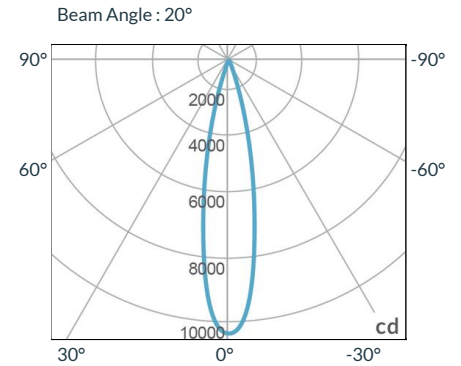
- Cine-Grade Light Quality
- Point-Source LED
- DMX Controllable
- 90W Power Draw
- Compact (< 8" of Vertical Space)

MECHANICAL FIGURES



PHOTOMETRIC DATA

Distance		3' (~0.9 m)	10' (~3.0 m)	15' (~4.6 m)
@3200K	fc	1267	106	53
	lux	13638	1141	571
@5600K	fc	1309	110	55
	lux	14090	1185	593
Beam Diameter		Ø 1.0' (~0.3m)	Ø 3.5' (~1.1m)	Ø 5.3' (~1.6m)



MODE DESCRIPTION

Mode Description	Available Modes
- CLR	All Modes (8 bit and 16 bit)
- EZ	All EZ Modes (8 bit) (EZ CCT / EZ HSI / EZ RGBW / EZ RGB / EZ ICTHS / EZ ICT RGBW / EZ 3200K / EZ 5600K)
- RGB	EZ RGB (8 bit)
- CCT	EZ CCT (8 bit)
- 3200	EZ 3200K (8 bit)
- 5600	EZ 5600K (8 bit)

See Downloads portion of webpage for full DMX profiles